

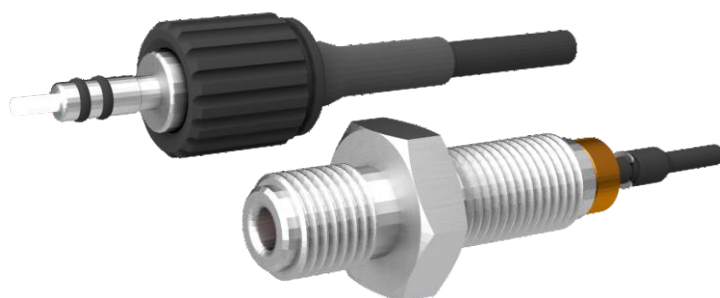


UNDERWATER FO CONNECTOR

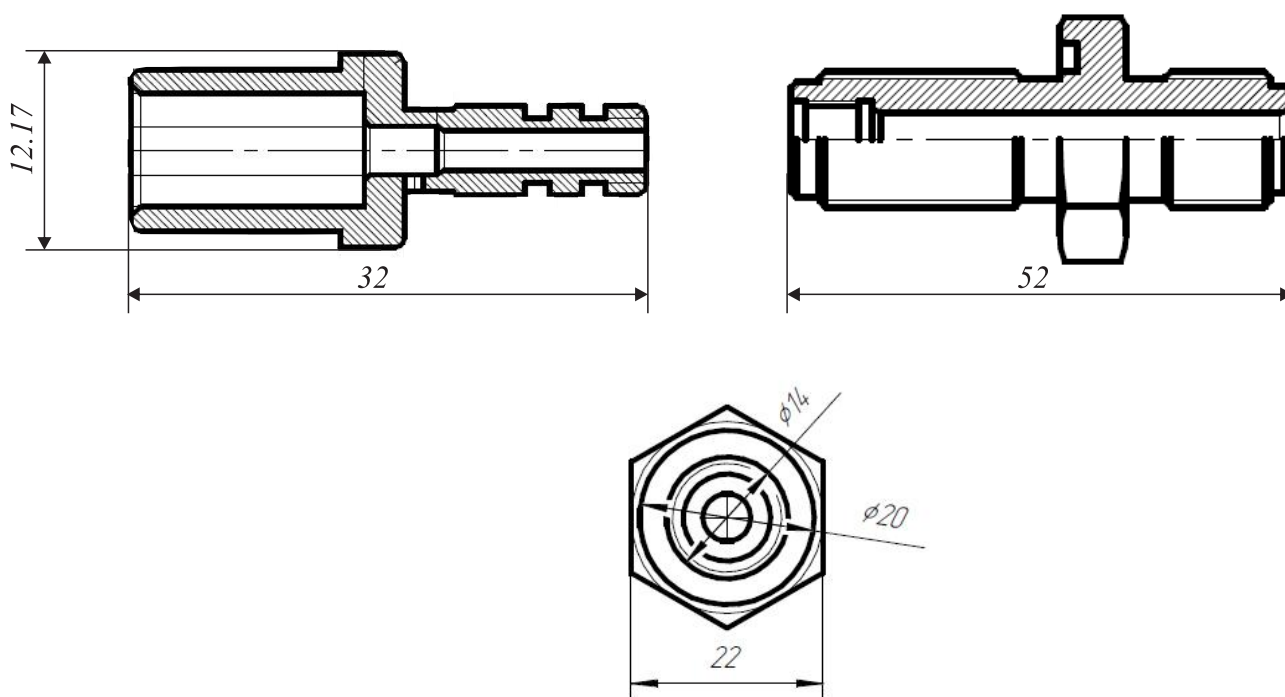
Designed for connection of on-board and underwater equipment and fast data transmission

Can be single or multimode

Made of high-quality brass. Customized solution for required installation on request



Operating depth	3000 m
Maximum depth rating	3000 m
FO connector	Single/multimode
Insertion loss	<0.5 dB (1310 nm)



Ask Subsea Ltd.
Malta, Gzira
114, The Strand, GZR1027

E-mail: ash@asksubsea.com
Web: www.asksubsea.com